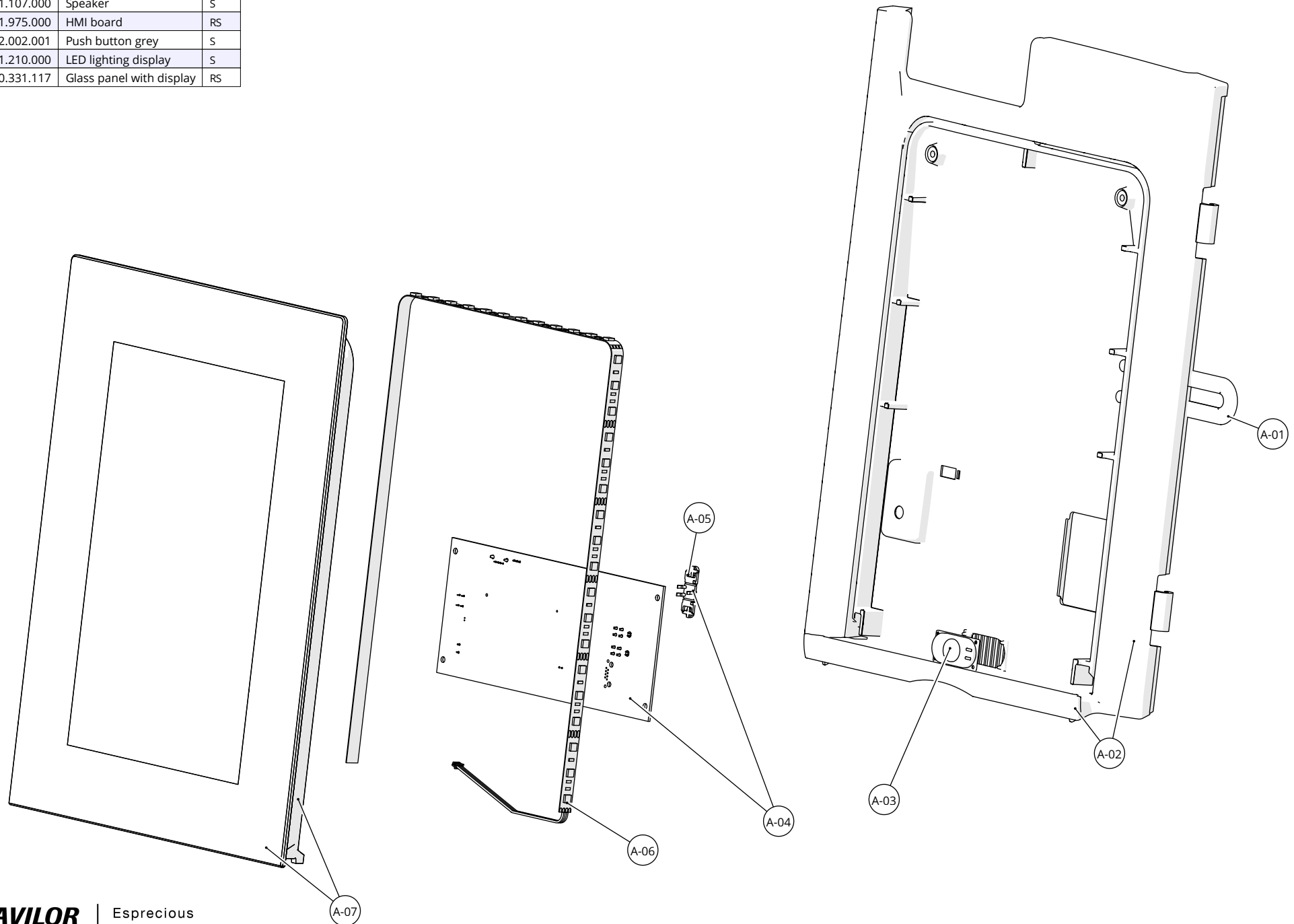
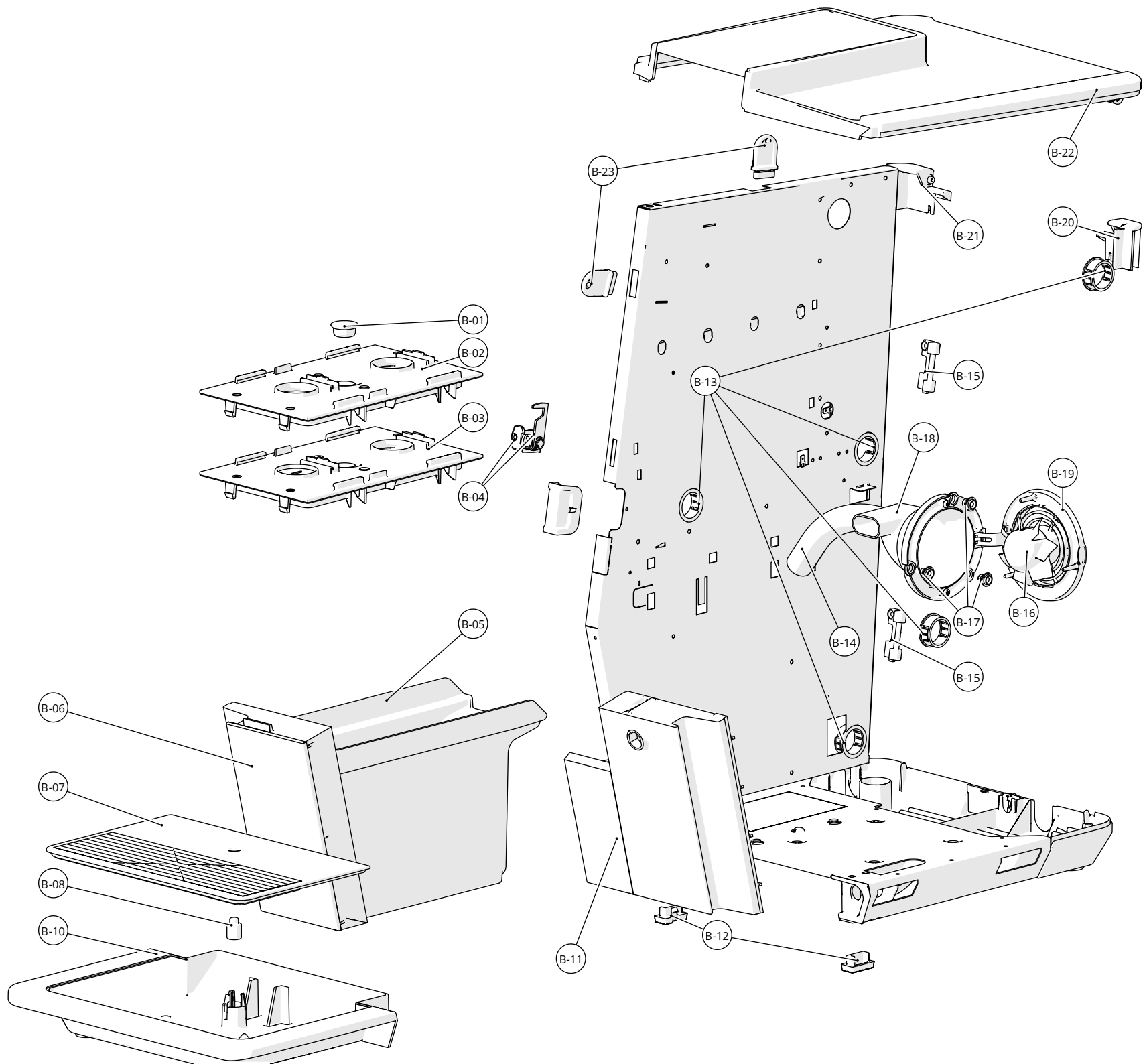


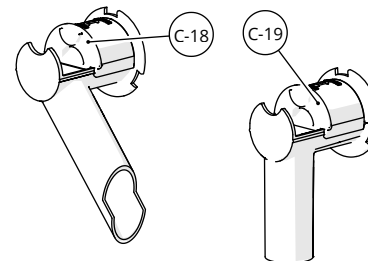
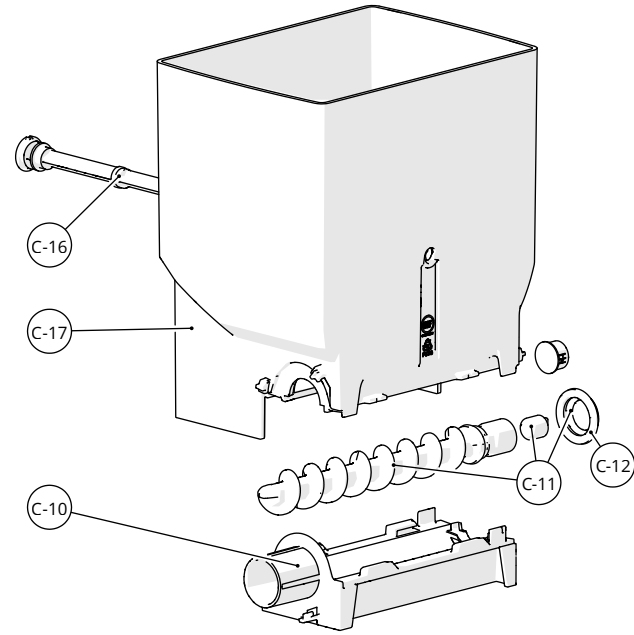
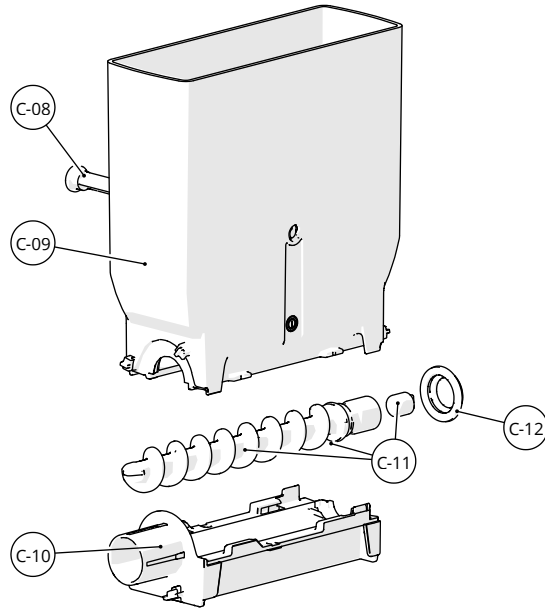
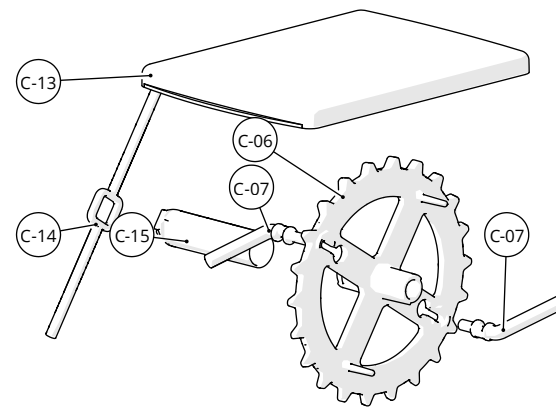
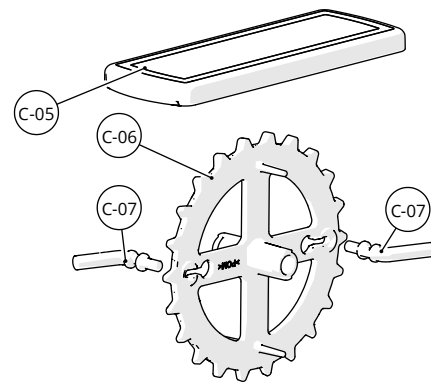
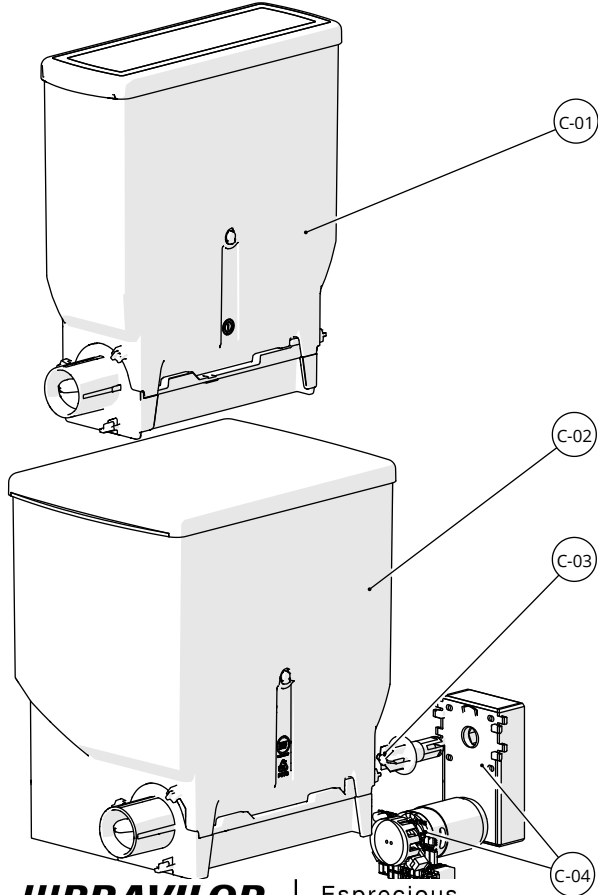
| ID   | Service parts | Description              | S-RS |
|------|---------------|--------------------------|------|
| A-01 | 6.331.095.001 | Door hinge holder        | S    |
| A-02 | 6.331.908.000 | Door Esprecious black    | S    |
| A-03 | 6.331.107.000 | Speaker                  | S    |
| A-04 | 6.331.975.000 | HMI board                | RS   |
| A-05 | 6.402.002.001 | Push button grey         | S    |
| A-06 | 6.431.210.000 | LED lighting display     | S    |
| A-07 | 6.000.331.117 | Glass panel with display | RS   |



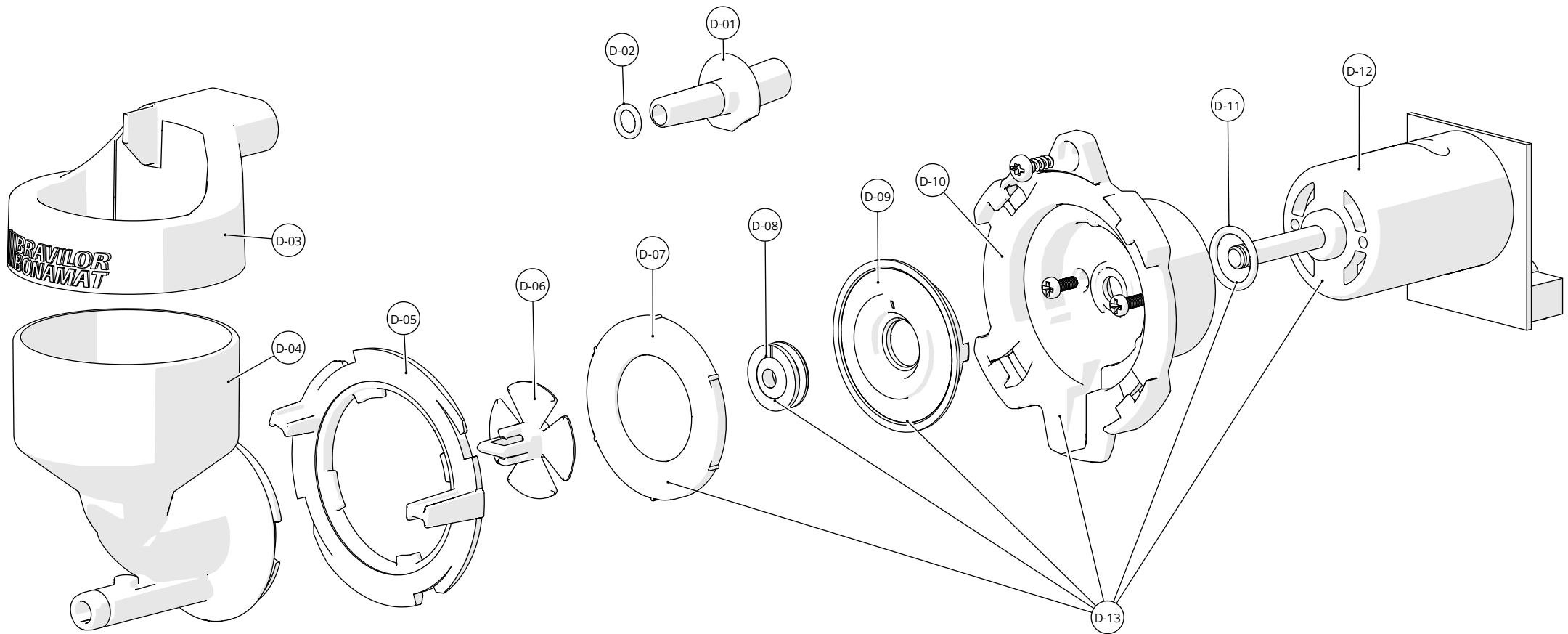
| ID   | Service parts | Description            | S-RS |
|------|---------------|------------------------|------|
| B-01 | 6.331.047.001 | Cap cleaning aperture  | DT   |
| B-02 | 6.331.906.001 | Lid (dual)             | S    |
| B-03 | 6.331.957.001 | Lid (single)           | S    |
| B-04 | 6.014.004.064 | Lock incl. key         | S    |
| B-05 | 6.331.049.001 | Waste bin              | S    |
| B-06 | 6.331.959.000 | Front panel waste bin  | DT   |
| B-07 | 6.331.344.001 | Grid drip tray         | S    |
| B-08 | 6.229.116.001 | Float drip-tray        | S    |
| B-10 | 6.331.014.000 | Drip tray              | S    |
| B-11 | 6.331.960.000 | Frontpanel             | DT   |
| B-12 | 6.331.015.001 | Foot                   | S    |
| B-13 | 6.006.002.011 | Inlet bush 28.2 mm     | S    |
| B-14 | 6.019.033.007 | Silicone tube 18 x 3.0 | S    |
| B-15 | 6.331.035.001 | Hinge                  | S    |
| B-16 | 6.231.194.001 | Rotor fan              | S    |
| B-17 | 6.231.204.001 | Vibration damper       | S    |
| B-18 | 6.331.136.001 | Fan house              | S    |
| B-19 | 6.331.099.001 | Grid fan               | S    |
| B-20 | 6.331.020.001 | Hinge                  | S    |
| B-21 | 6.331.019.001 | Hinge                  | S    |
| B-22 | 6.331.909.000 | Lid black complete     | S    |
| B-23 | 6.231.044.001 | Safety key             | S    |



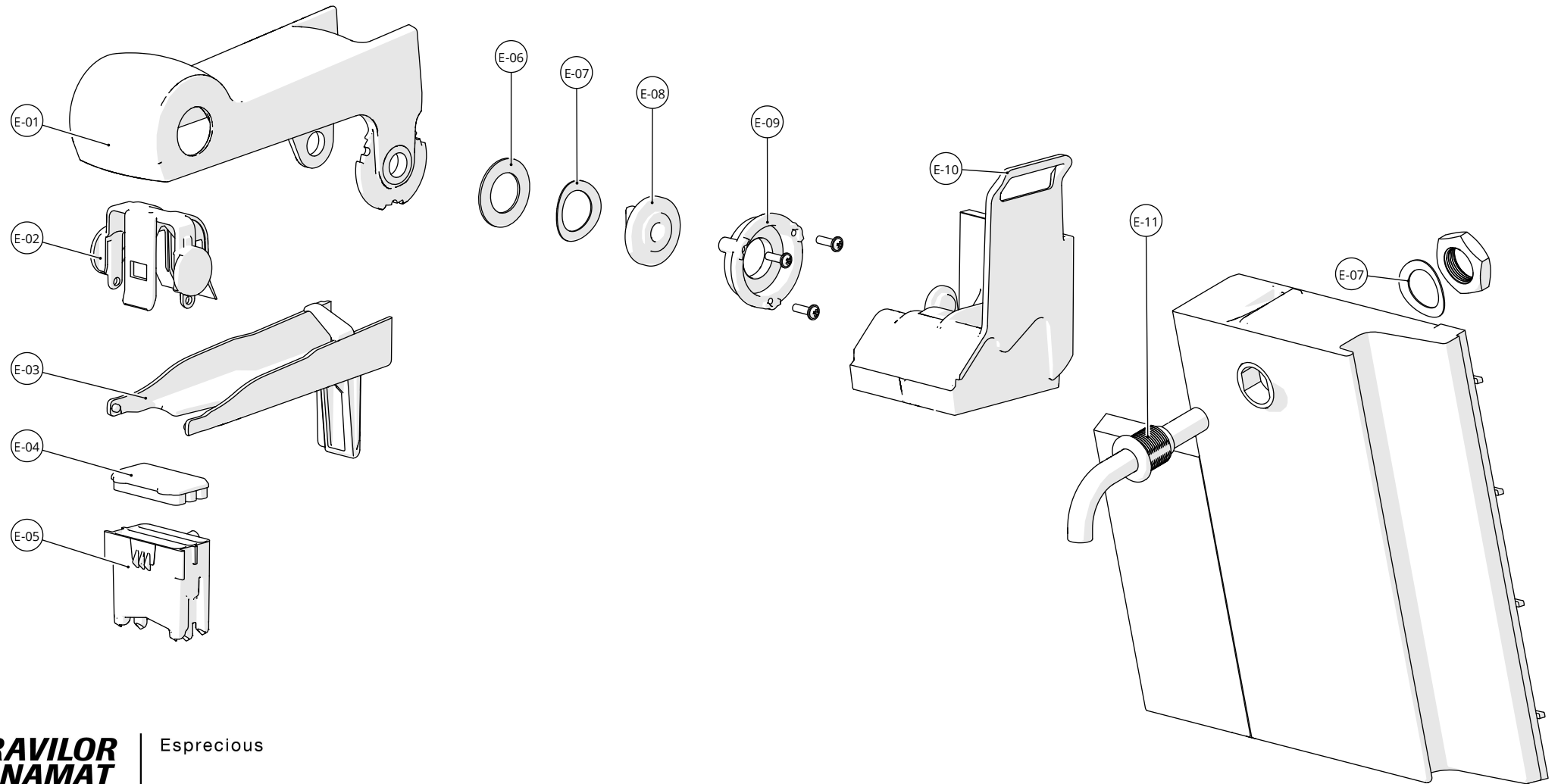
| ID   | Service parts | Description                | S-RS |
|------|---------------|----------------------------|------|
| C-01 | 6.000.229.183 | Canister 65 mm (complete)  | S    |
| C-02 | 6.000.229.197 | Canister 134 mm (complete) | S    |
| C-03 | 6.030.074.006 | Gear wheel                 | S    |
| C-04 | 6.030.070.037 | Canister motor             | RS   |
| C-05 | 6.329.480.000 | Lid 65mm                   | S    |
| C-06 | 6.329.477.001 | Drive shaft                | S    |
| C-07 | 6.329.478.001 | Wiper                      | S    |
| C-08 | 6.329.486.001 | Axle                       | S    |
| C-09 | 6.329.476.001 | Canister casing            | S    |
| C-10 | 6.329.474.001 | Canister bottom            | S    |
| C-11 | 6.000.229.219 | Worm (assy)                | S    |
| C-12 | 6.329.479.001 | Seal                       | S    |
| C-13 | 6.229.274.001 | Lid 134mm                  | S    |
| C-14 | 6.329.503.001 | Wiper                      | S    |
| C-15 | 6.329.543.001 | Adapter piece wiper        | S    |
| C-16 | 6.329.502.001 | Axle                       | S    |
| C-17 | 6.329.500.001 | Canister casing            | S    |
| C-18 | 6.229.932.000 | Outlet canister left       | S    |
| C-19 | 6.229.931.000 | Outlet canister central    | S    |



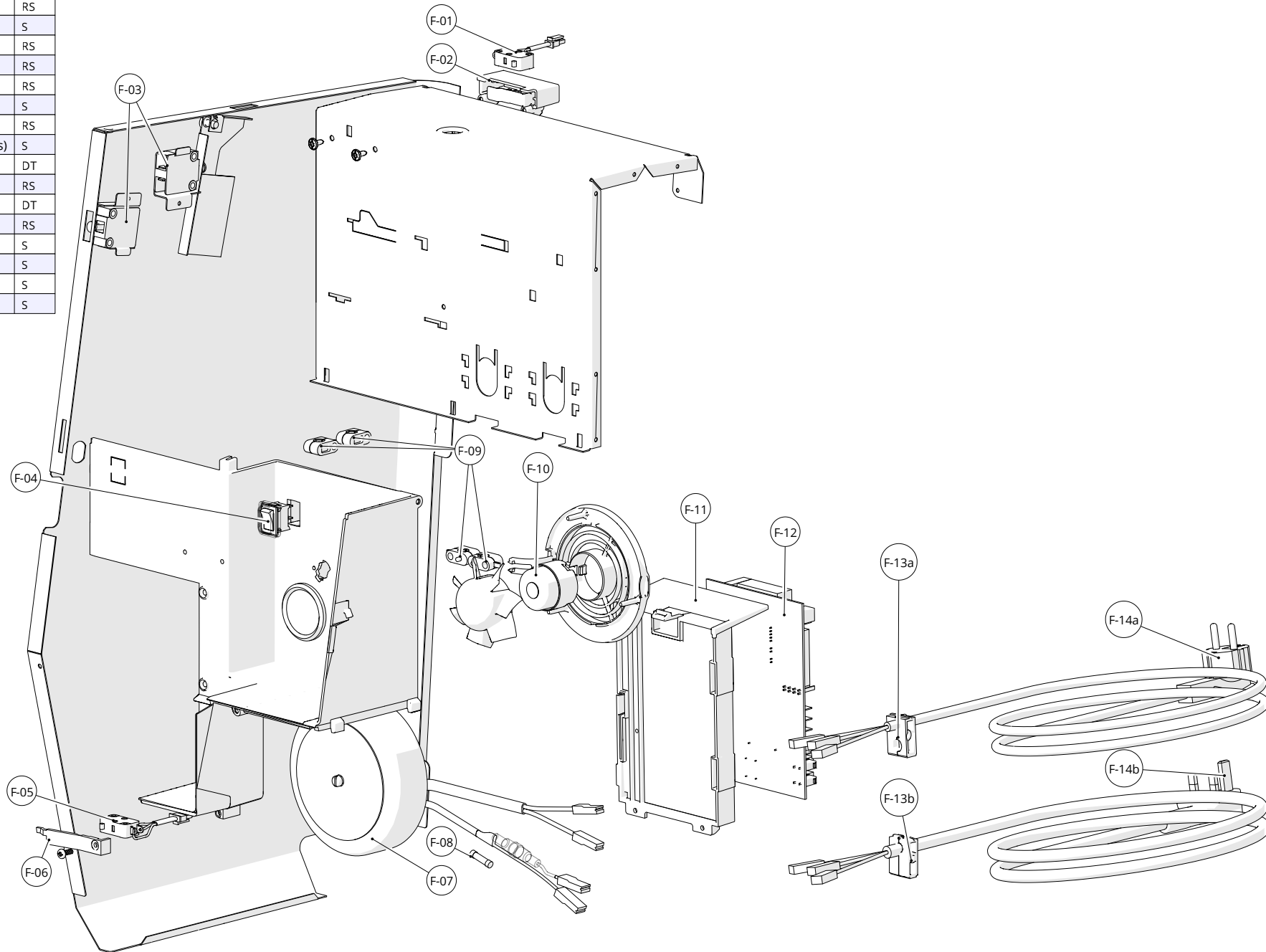
| ID   | Service parts | Description             | S-RS |
|------|---------------|-------------------------|------|
| D-01 | 6.229.580.001 | Water inlet 6 mm        | S    |
| D-02 | 6.011.001.152 | O-ring                  | S    |
| D-03 | 6.229.808.001 | Condense reservoir      | S    |
| D-04 | 6.229.805.001 | Mixing chamber 6 mm     | S    |
| D-05 | 6.229.809.001 | Fastening ring          | S    |
| D-06 | 6.229.803.001 | Whipper disk            | S    |
| D-07 | 6.229.806.001 | Rubber seal mixer       | S    |
| D-08 | 6.030.071.020 | Rubber seal mixer       | S    |
| D-09 | 6.229.807.001 | Holder rubber seal      | S    |
| D-10 | 6.229.810.001 | Plate mixer moter       | S    |
| D-11 | 6.011.001.094 | O-ring                  | RS   |
| D-12 | 6.331.237.000 | Mixer motor incl. print | RS   |
| D-13 | 6.000.229.238 | Mixer motor (assy)      | RS   |



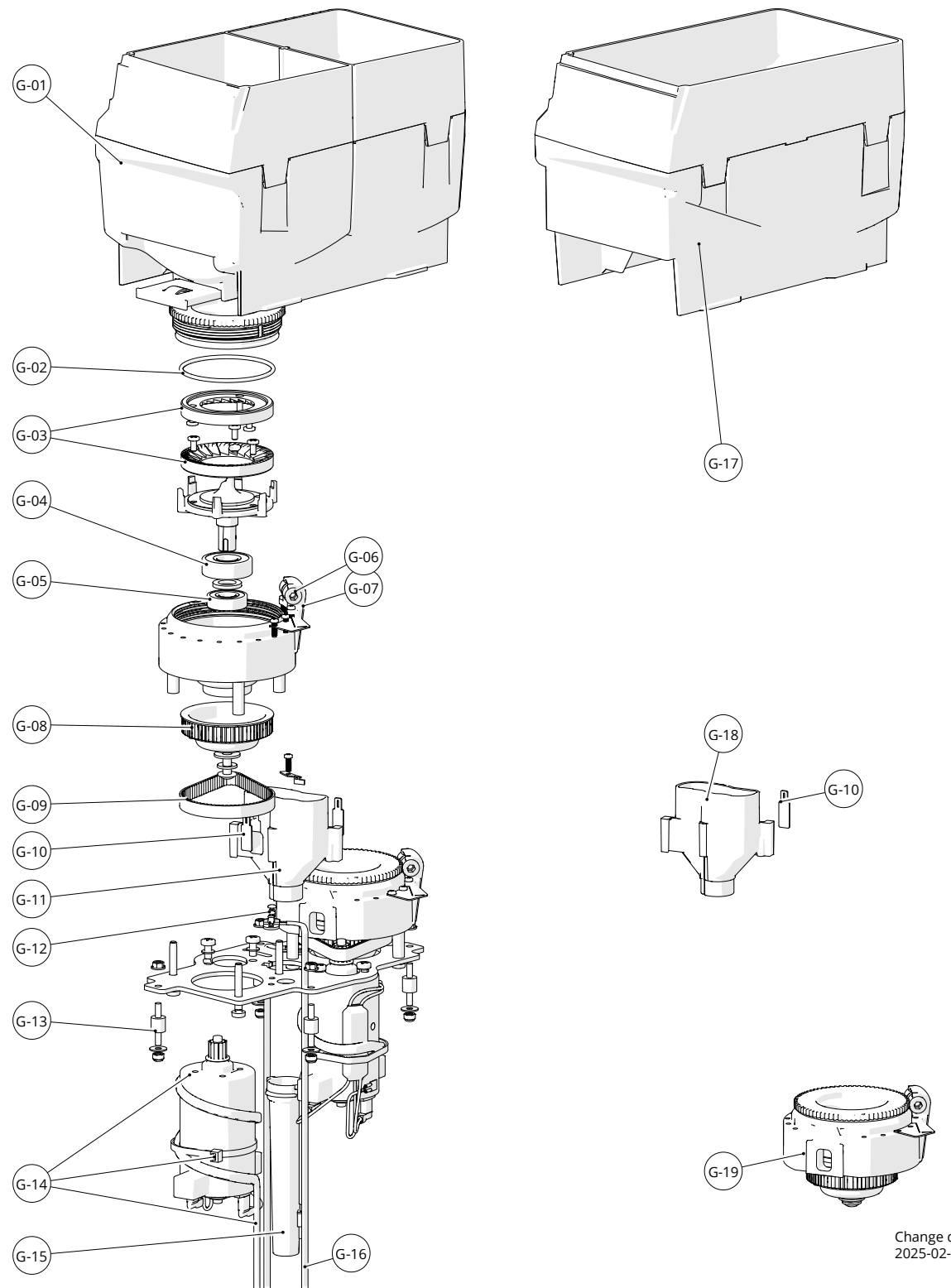
| ID   | Service parts | Description                  | S-RS |
|------|---------------|------------------------------|------|
| E-01 | 6.331.966.001 | Outlet cover                 | S    |
| E-02 | 6.331.283.001 | Clip beverages outlet        | S    |
| E-03 | 6.331.284.001 | Arm beverages outlet         | S    |
| E-04 | 6.271.022.001 | Lid                          | S    |
| E-05 | 6.271.003.001 | Spout-tray milk              | S    |
| E-06 | 6.331.941.001 | Ring 16,5x28x1               | S    |
| E-07 | 6.001.012.101 | Spring washer                | DT   |
| E-08 | 6.331.940.001 | Friction disc outlet arm     | S    |
| E-09 | 6.331.939.001 | Housing friction disc outlet | S    |
| E-10 | 6.331.028.001 | Holder outlet                | S    |
| E-11 | 6.331.024.000 | Discharge tube               | S    |



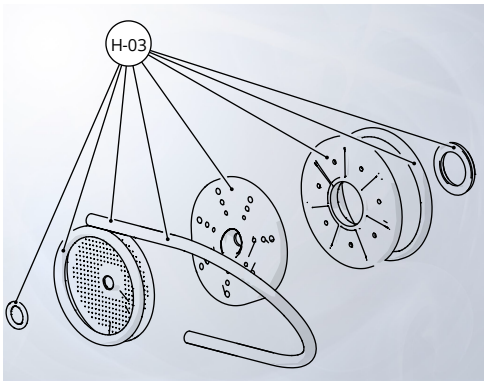
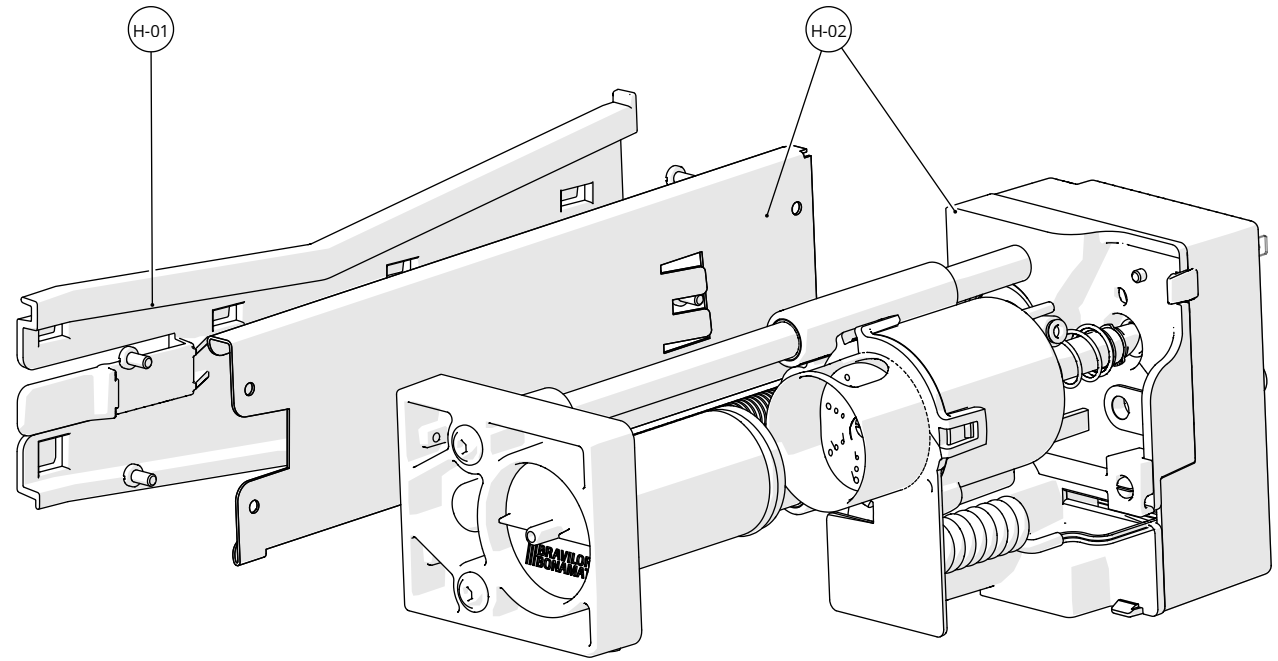
| ID    | Service parts | Description                  | S-RS |
|-------|---------------|------------------------------|------|
| F-01  | 6.331.401.000 | Switch                       | RS   |
| F-02  | 6.331.133.001 | Protection cover             | S    |
| F-03  | 6.004.001.093 | Safety switch                | RS   |
| F-04  | 6.004.001.089 | Switch                       | RS   |
| F-05  | 6.331.058.200 | Switch                       | RS   |
| F-06  | 6.331.125.001 | Spring                       | S    |
| F-07  | 6.331.137.000 | Trafo + fuse                 | RS   |
| F-08  | 6.005.011.035 | Fuse 0.8A TT 5x20mm (10 pcs) | S    |
| F-09  | 6.006.012.004 | Pull relief                  | DT   |
| F-10  | 6.000.229.146 | Fan motor                    | RS   |
| F-11  | 6.331.550.001 | Bracket powerboard           | DT   |
| F-12  | 6.331.977.000 | Mainboard                    | RS   |
| F-13a | 6.329.253.001 | Cord inlet (STD)             | S    |
| F-13b | 6.329.977.001 | Cord inlet (GB)              | S    |
| F-14a | 6.003.012.176 | Connection cord (STD)        | S    |
| F-14b | 6.003.012.178 | Connection cord (GB)         | S    |



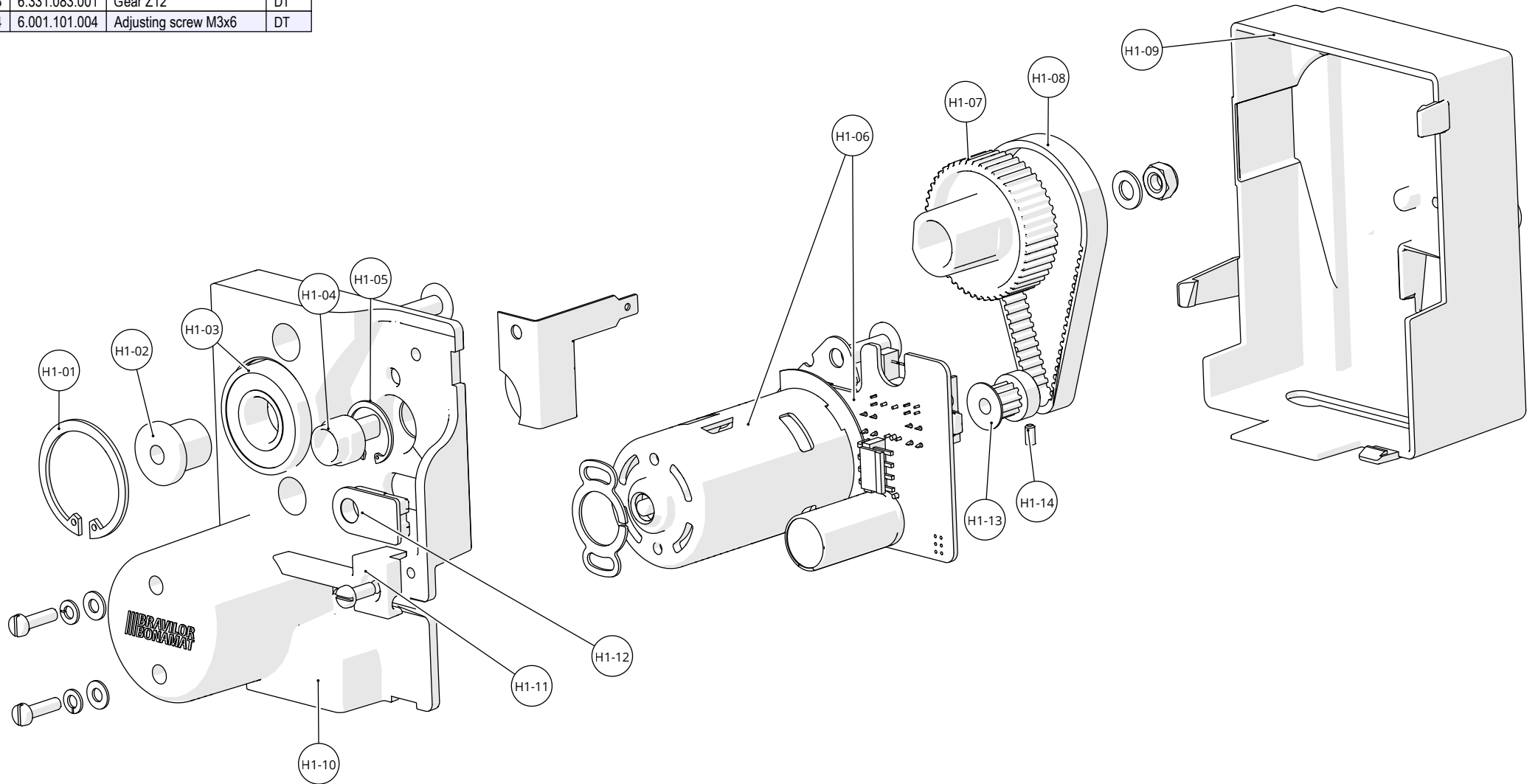
| ID   | Service parts | Description                   | S-RS |
|------|---------------|-------------------------------|------|
| G-01 | 6.000.331.004 | Canister double               | S    |
| G-02 | 6.011.001.172 | O-ring 61.6x2.62              | RS   |
| G-03 | 6.431.285.001 | Grinding disc ø64             | RS   |
| G-04 | 6.018.021.005 | Ball bearing 15x35x11         | DT   |
| G-05 | 6.018.021.002 | Ball bearing 12x28x8          | DT   |
| G-06 | 6.331.426.001 | Adjustment part               | S    |
| G-07 | 6.331.427.001 | Clip adjusting mechanism      | S    |
| G-08 | 6.331.253.000 | Drive wheel incl. magnets     | S    |
| G-09 | 6.017.008.003 | Toothed belt 9 mm/294 mm      | S    |
| G-10 | 6.030.079.104 | Outlet pipe flapper           | DT   |
| G-11 | 6.331.901.001 | Outlet double grinder         | S    |
| G-12 | 6.001.151.007 | Rivet 3,5 mm/4,5-5,5 mm       | DT   |
| G-13 | 6.001.152.008 | Vibration damper Ø10x10 M4x10 | S    |
| G-14 | 6.000.431.035 | Motor + gear wheel 230V DC    | RS   |
| G-15 | 6.331.091.001 | Outlet coffee grinder         | RS   |
| G-16 | 6.030.079.007 | Sensor (Hall)                 | RS   |
| G-17 | 6.000.331.003 | Canister single               | S    |
| G-18 | 6.331.953.001 | Outlet single grinder         | S    |
| G-19 | 6.000.331.113 | Grinder base (assy)           | S    |



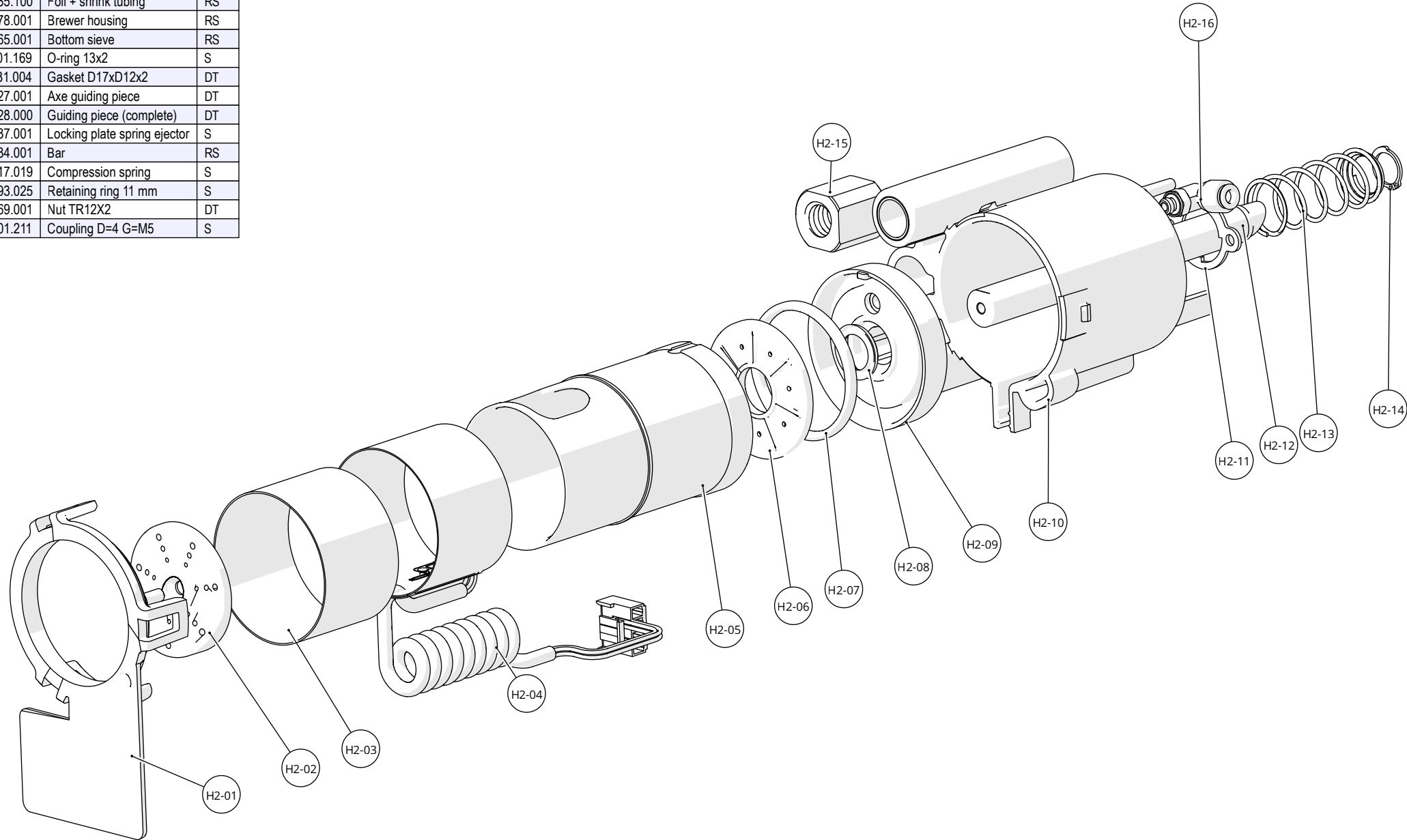
| ID   | Service parts | Description                  | S-RS |
|------|---------------|------------------------------|------|
| H-01 | 6.331.050.001 | Bracket suspension brewer    | S    |
| H-02 | 6.000.331.106 | Espressobrewer BB (complete) | RS   |
| H-03 | 6.000.331.116 | Brewer service set           | S    |



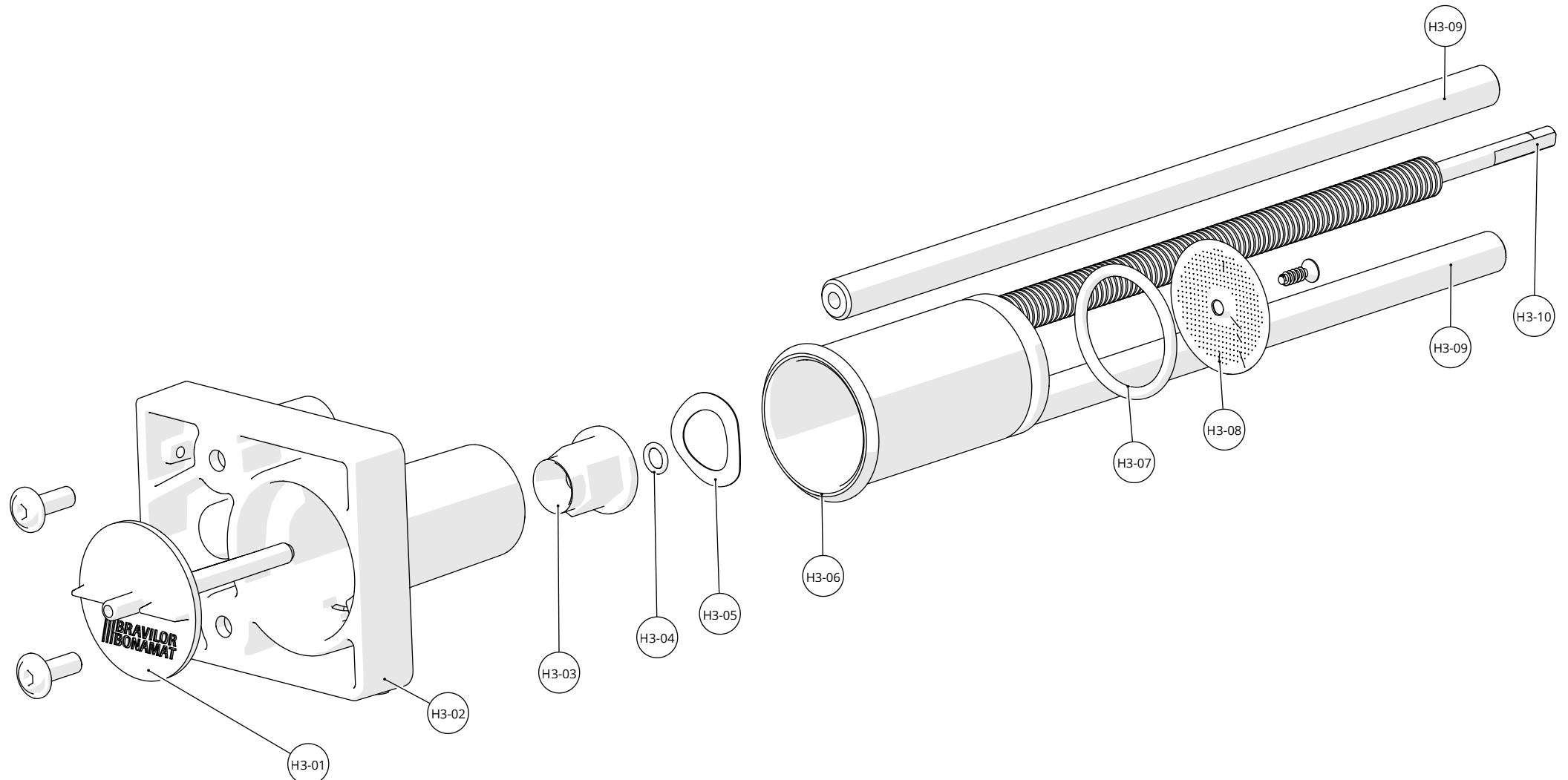
| ID    | Service parts | Description             | S-RS |
|-------|---------------|-------------------------|------|
| H1-01 | 6.001.093.016 | Safety ring 35mm        | DT   |
| H1-02 | 6.331.082.001 | Spindel stopper         | DT   |
| H1-03 | 6.018.021.001 | Ball Bearing D35xD15x11 | DT   |
| H1-04 | 6.331.902.001 | Directional stop piston | S    |
| H1-05 | 6.001.093.018 | Safety ring 15mm        | DT   |
| H1-06 | 6.331.976.000 | Brewer motor complete   | RS   |
| H1-07 | 6.331.067.001 | Gear Z48                | DT   |
| H1-08 | 6.017.008.001 | Belt 9mm                | S    |
| H1-09 | 6.331.127.001 | Cover print             | DT   |
| H1-10 | 6.331.074.001 | Frame rear side         | DT   |
| H1-11 | 6.331.155.001 | Tube support            | DT   |
| H1-12 | 6.331.153.001 | Drop catcher            | DT   |
| H1-13 | 6.331.083.001 | Gear Z12                | DT   |
| H1-14 | 6.001.101.004 | Adjusting screw M3x6    | DT   |



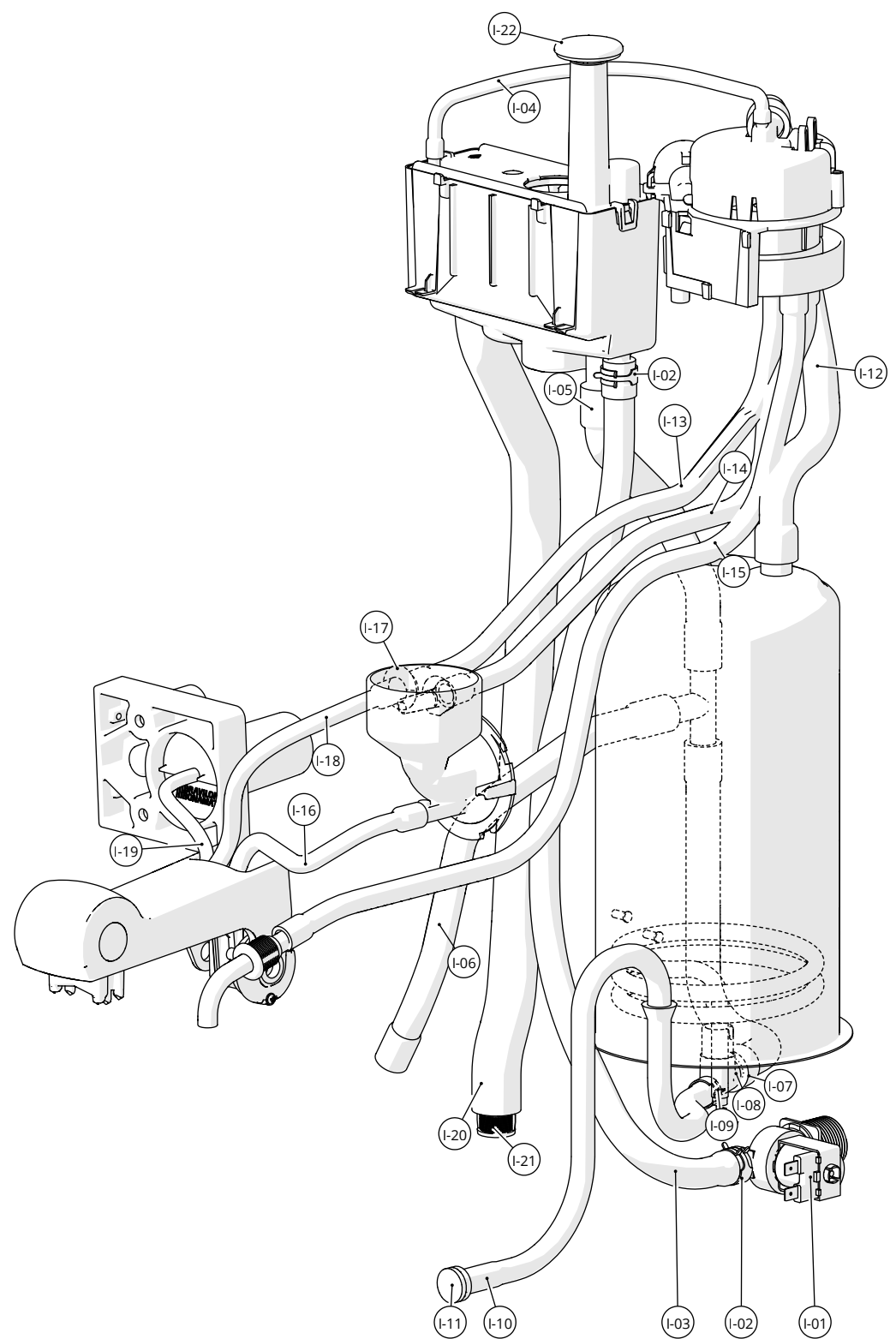
| ID    | Service parts | Description                  | S-RS |
|-------|---------------|------------------------------|------|
| H2-01 | 6.331.077.001 | Clamp                        | RS   |
| H2-02 | 6.331.903.001 | Distribution disc piston     | RS   |
| H2-03 | 6.331.115.001 | Heat shrink tubing           | DT   |
| H2-04 | 6.331.085.100 | Foil + shrink tubing         | RS   |
| H2-05 | 6.331.078.001 | Brewer housing               | RS   |
| H2-06 | 6.331.065.001 | Bottom sieve                 | RS   |
| H2-07 | 6.011.001.169 | O-ring 13x2                  | S    |
| H2-08 | 6.011.031.004 | Gasket D17xD12x2             | DT   |
| H2-09 | 6.331.927.001 | Axe guiding piece            | DT   |
| H2-10 | 6.331.928.000 | Guiding piece (complete)     | DT   |
| H2-11 | 6.331.937.001 | Locking plate spring ejector | S    |
| H2-12 | 6.331.934.001 | Bar                          | RS   |
| H2-13 | 6.014.017.019 | Compression spring           | S    |
| H2-14 | 6.001.093.025 | Retaining ring 11 mm         | S    |
| H2-15 | 6.331.069.001 | Nut TR12X2                   | DT   |
| H2-16 | 6.013.001.211 | Coupling D=4 G=M5            | S    |



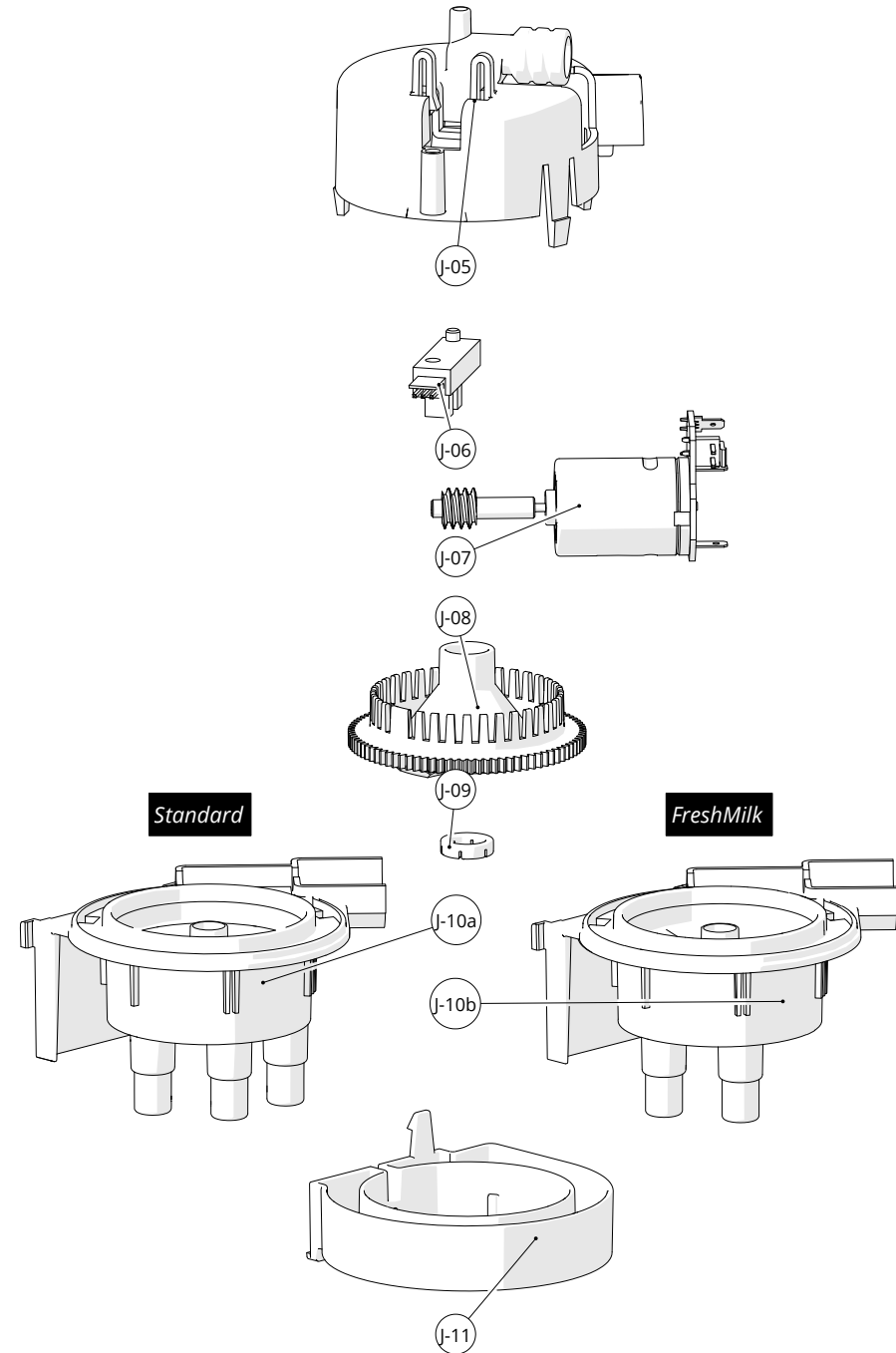
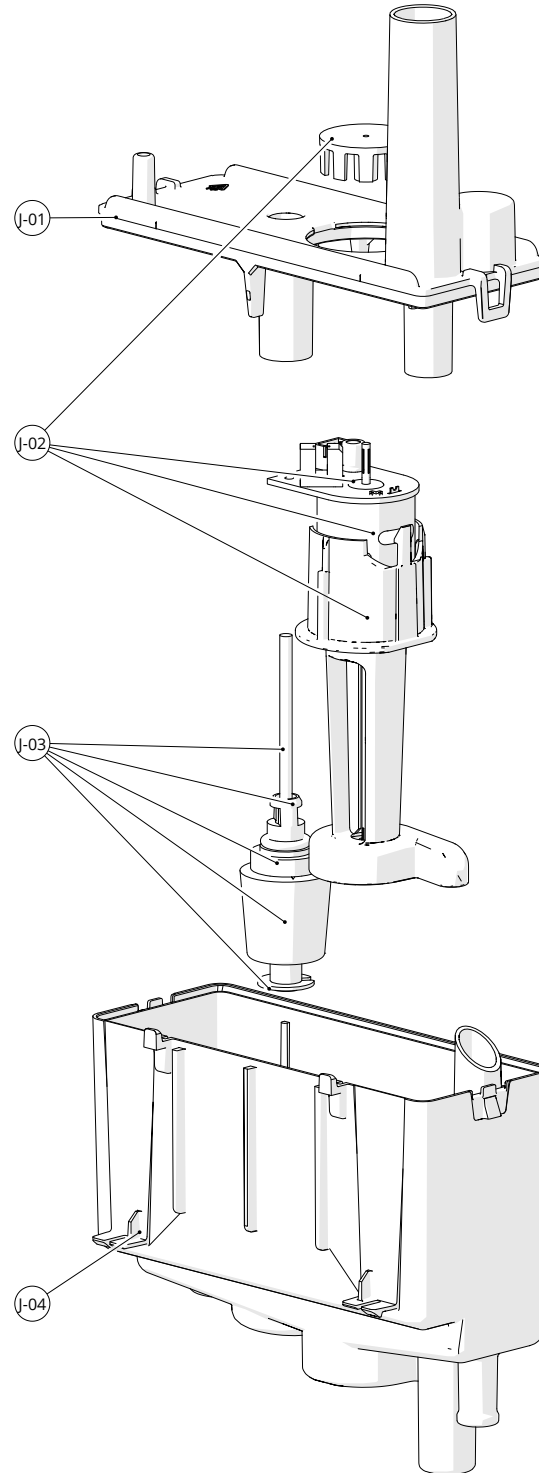
| ID    | Service parts | Description                    | S-RS |
|-------|---------------|--------------------------------|------|
| H3-01 | 6.331.066.001 | Discharge tube                 | S    |
| H3-02 | 6.331.073.000 | Frame front                    | DT   |
| H3-03 | 6.331.123.001 | Nut                            | DT   |
| H3-04 | 6.011.001.110 | O-ring 6.1x1.6                 | RS   |
| H3-05 | 6.331.097.001 | Spring washer                  | DT   |
| H3-06 | 6.331.070.001 | Outlet                         | RS   |
| H3-07 | 6.011.001.207 | O-ring 32,92x3,53 NHBR 70°Sh.A | RS   |
| H3-08 | 6.013.004.052 | Sieve micro filter (flat)      | RS   |
| H3-09 | 6.331.081.001 | Axe                            | DT   |
| H3-10 | 6.331.080.000 | Axe TR12x2                     | S    |



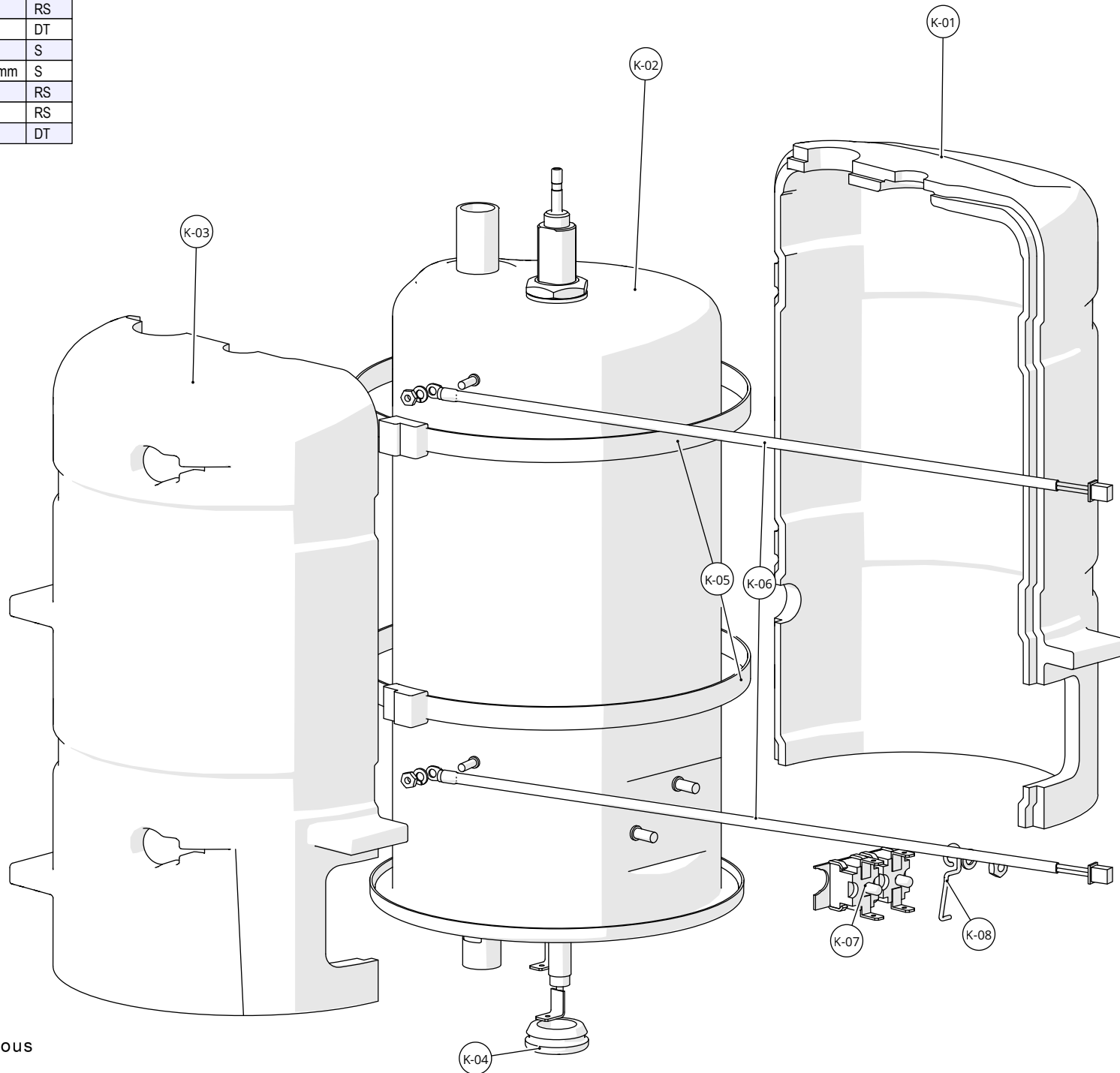
| ID   | Service parts | Description              | S-RS | mm  |
|------|---------------|--------------------------|------|-----|
| I-01 | 6.016.001.096 | Magnetic valve 2 l/min.  | RS   |     |
| I-02 | 6.001.079.003 | Tube clamp 15.6 mm       | S    |     |
| I-03 | 6.019.033.014 | Silicone tube 3 x 9.5    | S    | 520 |
| I-04 | 6.019.033.009 | Silicone tube 4 x 1.5    | S    | 280 |
| I-05 | 6.019.033.013 | Silicone tube 11,5 x 3.0 | S    | 140 |
| I-06 | 6.019.033.013 | Silicone tube 11,5 x 3.0 | S    | 360 |
| I-07 | 6.019.033.013 | Silicone tube 11,5 x 3.0 | S    | 260 |
| I-08 | 6.231.132.001 | Supply boiler            | S    |     |
| I-09 | 6.001.079.001 | Tube clamp 12.7 mm       | S    |     |
| I-10 | 6.263.081.001 | Drain hose               | S    | 500 |
| I-11 | 6.006.002.018 | Tightening plug 10.5 mm  | S    |     |
| I-12 | 6.019.033.013 | Silicone tube 11,5 x 3.0 | S    | 295 |
| I-13 | 6.019.033.004 | Silicone tube 7.5 x 2    | S    | 330 |
| I-14 | 6.019.033.004 | Silicone tube 7.5 x 2    | S    | 330 |
| I-15 | 6.331.140.001 | Hot water tube           | S    |     |
| I-16 | 6.331.900.001 | Silicone tube 5 x 1.5    | S    | 245 |
| I-17 | 6.429.043.001 | Coupling hot water tubes | S    |     |
| I-18 | 6.331.900.001 | Silicone tube 5 x 1.5    | S    |     |
| I-19 | 6.019.033.028 | Silicon tube 3.5 x 2.2   | S    | 235 |
| I-20 | 6.229.248.001 | Overflow tube            | S    | 470 |
| I-21 | 6.016.018.023 | Sieve                    | S    |     |
| I-22 | 6.402.010.001 | Descaling plug           | S    |     |



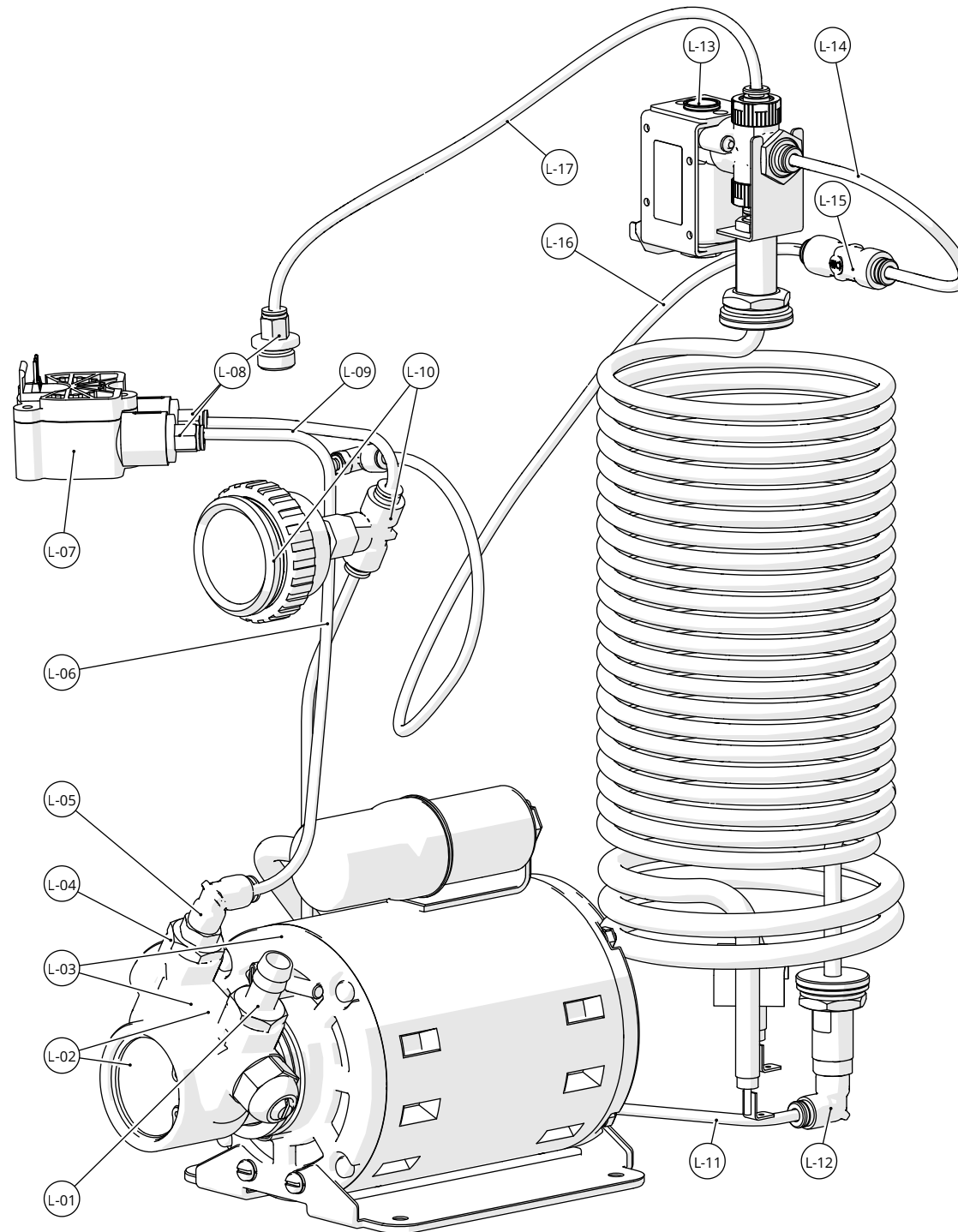
| ID    | Service parts | Description                 | S-RS |
|-------|---------------|-----------------------------|------|
| J-01  | 6.229.334.001 | Lid pumpfloat tank          | S    |
| J-02  | 6.000.229.198 | Pump float tank 4000 rpm    | RS   |
| J-03  | 6.229.891.001 | Float                       | S    |
| J-04  | 6.229.335.001 | Pumpfloat tank              | S    |
| J-05  | 6.231.121.001 | Lid water selector          | S    |
| J-06  | 6.004.026.001 | Light sensor                | RS   |
| J-07  | 6.000.231.188 | Motor water selector (assy) | RS   |
| J-08  | 6.231.120.001 | Water rotation disk         | RS   |
| J-09  | 6.229.761.001 | Water sealing ring          | S    |
| J-10a | 6.231.131.001 | Outlet waterselector 3      | S    |
| J-10b | 6.231.825.001 | Outlet waterselector 2      | S    |
| J-11  | 6.231.259.001 | Lid water selector          | S    |



| ID   | Service parts | Description               | S-RS |
|------|---------------|---------------------------|------|
| K-01 | 6.331.124.001 | Insulation part 2         | DT   |
| K-02 | 6.000.331.020 | Boiler 230V 1850W         | RS   |
| K-03 | 6.331.124.002 | Insulation part 1         | DT   |
| K-04 | 6.231.191.001 | Ring silicone             | S    |
| K-05 | 6.001.043.056 | Tube clamp 25-150 mm/9 mm | S    |
| K-06 | 6.265.146.000 | Temperatue sensor         | RS   |
| K-07 | 6.016.008.084 | Thermostat                | RS   |
| K-08 | 6.016.008.078 | Bracket                   | DT   |



| ID   | Service parts | Description               | S-RS | mm  |
|------|---------------|---------------------------|------|-----|
| L-01 | 6.013.008.066 | Tube support 12 mm x R3/8 | S    |     |
| L-02 | 6.023.004.038 | Pump head                 | RS   |     |
| L-03 | 6.023.004.031 | Pump 220V 120W            | RS   |     |
| L-04 | 6.013.008.067 | Nipple G3/8 x G1/8        | S    |     |
| L-05 | 6.013.001.212 | Knee 4 mm x G1/8          | S    |     |
| L-06 | 6.019.072.003 | Tube PTFE 2.0 x 1.0       | S    | 250 |
| L-07 | 6.016.024.012 | Water counter             | RS   |     |
| L-08 | 6.013.001.216 | Coupling 4 x G1/4         | S    |     |
| L-09 | 6.019.072.003 | Tube PTFE 2.0 x 1.0       | S    | 80  |
| L-10 | 6.331.406.000 | Gauge + clutch glueed     | S    |     |
| L-11 | 6.019.072.003 | Tube PTFE 2.0 x 1.0       | S    | 400 |
| L-12 | 6.013.001.212 | Knee 4 mm x G1/8          | S    |     |
| L-13 | 6.016.001.129 | Magnetic valve 24V DC NC  | RS   |     |
| L-14 | 6.019.072.003 | Tube PTFE 2.0 x 1.0       | S    | 180 |
| L-15 | 6.013.005.030 | Non-return valve          | S    |     |
| L-16 | 6.019.072.003 | Tube PTFE 2.0 x 1.0       | S    | 500 |
| L-17 | 6.019.072.003 | Tube PTFE 2.0 x 1.0       | S    | 340 |



# FreshMilk (L) versions

| ID   | Service parts | Description                   | S-RS | mm   |
|------|---------------|-------------------------------|------|------|
| M-01 | 6.271.037.000 | Interface/MDB print           | RS   |      |
| M-02 | 6.228.020.000 | Linking cable                 | S    |      |
| M-03 | 6.002.001.036 | Coupling RJ11-RJ11 6-pole     | DT   |      |
| M-04 | 6.331.447.001 | Tube guide Espresso milk      | DT   |      |
| M-05 | 6.271.038.000 | Milk foamer assy.             | S    |      |
| M-06 | 6.033.256.001 | Silicone tube 4.0x2.0         | S    | 175  |
| M-07 | 6.331.451.001 | Drip tray Espresso with drain | S    |      |
| M-08 | 6.011.001.094 | O-ring 13x2                   | RS   |      |
| M-09 | 6.013.008.062 | Knee 13-15 mm                 | S    |      |
| M-10 | 6.019.033.014 | Silicone tube 15.5 x 9.5      | S    | 1000 |

